



GENERAL FEATURES

Reference norms:

- Electrical Characteristics GENELC HD 233, CEI 13-6, IEC 51, VDE 0410, BS 89, C 42-100
- Safety norms CENELEC RD 215, CEI 13-10, IEC 414, DIN 57410, BS 5458, C 42-010
- Dimensions in accordance with DIN 43703 norms.

Temperature:

- Reference Temperature 20 °C
- Operating Temperature -25 +60 °C
- Storage Temperature -40 +80 °C.

Humidity:

- Relative humidity of the environment $\leq 95\%$.

Overloading

- 1.2 Permanent
- 10 In for 5 seconds up to 250 A
- 5 In for 5 seconds from 251 to 2,000 A
- 2 In for 5 seconds from 2.001 to 10,000 A

Precision:

- Class 0.5

The primary characteristic of the resistive alloy making up the shunt is the extremely low variation of resistance as the temperature varies.

These are resistors with a sturdy construction, which are especially suitable for welders, feeders and wherever it is necessary to pick up current in proportion to the progress of the circulating current in the circuit where they are inserted.

The primary characteristic of the resistive alloy making up the shunt is the extremely low variation of resistance as the temperature varies.

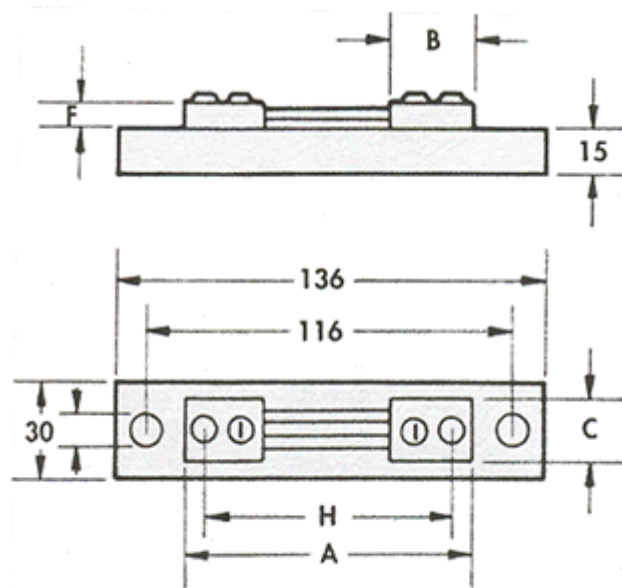
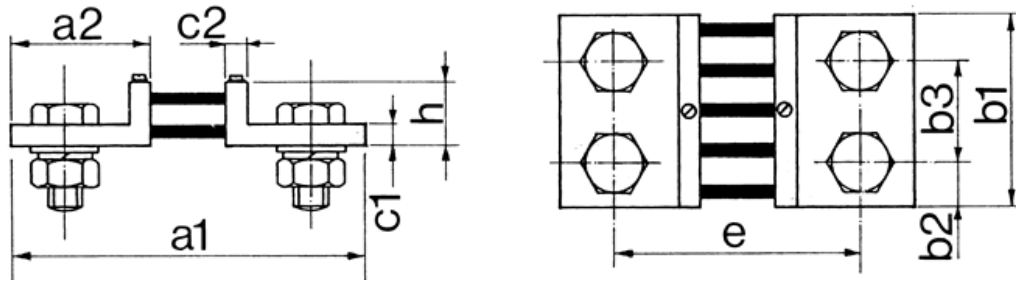


Fig. 1

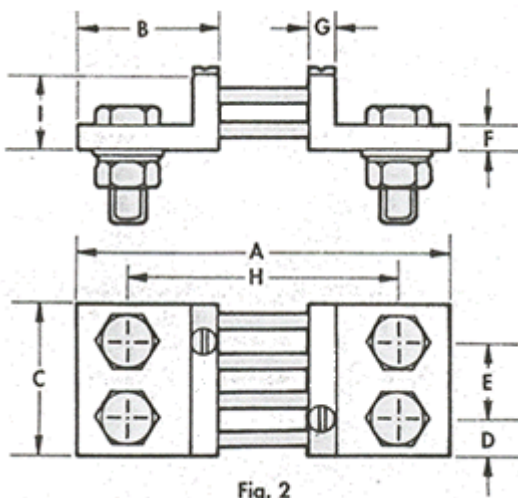


Fig. 2

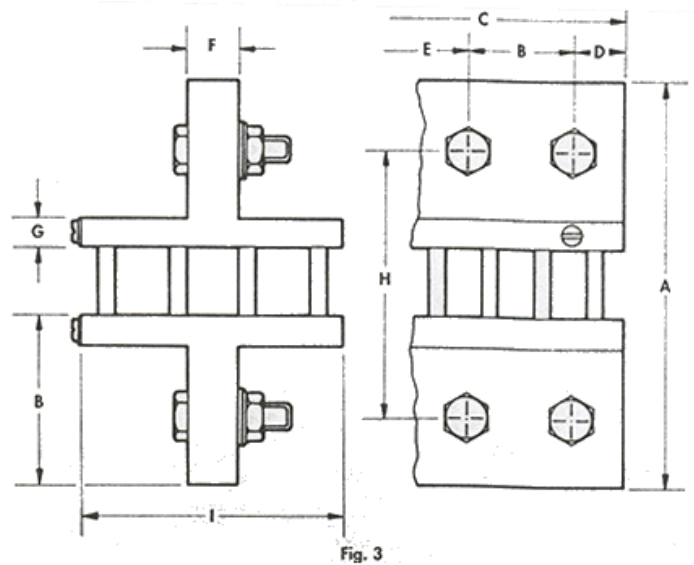


Fig. 3

Nominal Current A	Fig.	Dimensions										Bolts and nuts			weight (g)
		A	B	C	D	E	F	G	H	I	Nr Holes	Bolt DIN 933 DIN 5,8	Washer DIN 125-St	Nut DIN 935-5	
Voltage drop 60 mV															
1-1,5-2,5-4	1	90	28	20	-	-	8	-	78	-	2x1	M5 x12	5,3	-	115
6-10-15-20-25	1	90	28	20	-	-	8	-	78	-	2x1	M5 x12	5,3	-	115
30-40-50-60-100-150	1	100	33	20	-	-	8	-	80	-	2x1	M8 x16	8,4	-	125
200-250	2	145	55	30	15	-	10	10	105	30	2x1	M12x40	13	M12	500
300-400	2	145	55	40	20	-	10	10	105	30	2x1	M16x45	17	M16	750
500-600	2	145	55	40	20	-	10	10	105	30	2x1	M16x45	17	M16	750
800-1000	2	165	165	60	30	-	10	10	115	30	2x1	M20x15	21	M20	1400
1200-1500	2	165	65	90	21	48	10	10	115	30	2x2	M16x45	17	M16	1900
2000-2500	2	165	65	120	30	60	10	10	115	30	2x2	M20x50	21	M20	3000
3000-4000	3	165	65	120	30	60	15	10	115	60	2x2	M20x60	21	M20	4300
5000-6000	3	175	70	154	25	52	25	15	125	130	2x3	M20x70	21	M20	11000
8000-10000	3	185	175	206	25	52	30	20	135	170	2x4	M20x80	21	M20	20000
Voltage drop 150 mV															
1-1,5-2,5-4	1	90	28	20	-	-	8	-	78	-	2x1	M5 x12	5,3	-	115
6-10-15-20-25	1	90	28	20	-	-	8	-	78	-	2x1	M5 x12	5,3	-	115
30-40-50-60-100-150	1	225	33	25	-	-	8	-	205	-	2x1	M8 x16	8,4	-	230
200-250	2	270	55	30	15	-	10	10	230	30	2x1	M12x40	13	M12	630
300-400	2	270	55	40	20	-	10	10	230	30	2x1	M16x45	17	M16	950
500-600	2	270	55	40	20	-	10	10	230	30	2x1	M16x45	17	M16	1100
800-1000	2	290	65	70	35	-	10	10	240	60	2x1	M20x50	21	M20	2500
1200-1500	3	290	65	90	21	48	15	10	240	60	2x2	M16x60	17	M16	4000
2000-2500	3	290	65	120	30	60	15	10	240	60	2x2	M20x60	21	M20	5400
3000-4000	3	300	70	120	30	60	25	15	250	130	2x2	M20x70	21	M20	7500
5000-6000	3	300	70	154	25	52	25	15	250	130	2x3	M20x70	21	M20	16000
8000-10000	3	310	75	206	25	52	30	20	260	170	2x4	M20x80	21	M20	30000

Insulating base until 25 A

Equipment : - 2 screw M5x8 DIN 94 - 4,3

- 2 washer 5,3 DIN 433 St

- bars fixing bolts